

# Installation Instructions



6/17/96

## LK10, LK11 SERIES-AHT ANSI GRADE 1 STANDARD DUTY CYLINDRICAL LEVER HANDLE LOCKSET

- Please follow these installation and mounting instructions. If you do, you will have no difficulty installing this lever lockset.
- There are very few parts to assemble in this lockset. All parts are simple to assemble and install.
- This lockset is handed but reversible. To reverse handing follow the clear instructions on page 4.
- Make sure you properly engage the latch retractor when mounting this lockset.
- Proper installation of this lever will result in a lever handle cylindrical lockset that will operate smoothly and efficiently.
- Important: If you intend to use our "UL" Fire Guard Inserts, follow directions shown on page 7.



**1** If door is already Ansi prepped for cylindrical lockset, goto Step #2. If door is not already prepared follow steps below:

1: Place paper template supplied on door and mark for holes. Drill the 2 1/8" cross-bore hole, and then the 1" hole as shown in Fig. A.

2: Mortise latch unit front 5/32" into door edge to dimensions shown in figure B.

Figure A

Cross bore hole 2 1/8"

Hole 1"

High edge of bevel door

Figure B

2 1/4"

1 1/8"

**2** With the use of the template supplied, carefully mark position of the two thru-bolt holes needed to install this lockset.

Align template to prepped door to validate proper door prep cutouts and/or hole locations.)

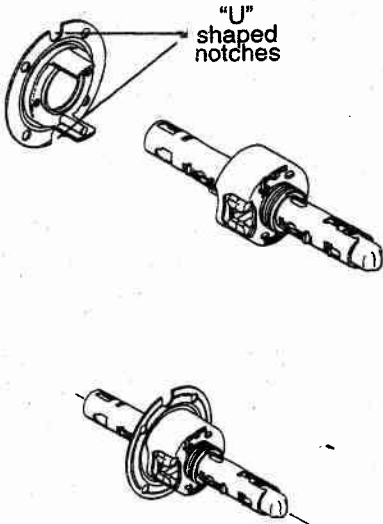
This template is made of paper and supplied in original packing.

**3** Secure latch unit onto door with screws supplied.

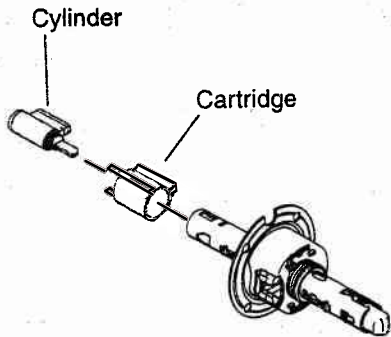
Use proper screws according to composition of door;

- wood screws in wooden door
- OR-
- self tapping sheet metal screws in hollow core steel door

**4** Holding lock in the position shown below, slide outside mounting plate over outside spindle and push until engages with lock body, making sure that "U" shaped notches on plate are positioned at 6 and 12 o'clock.

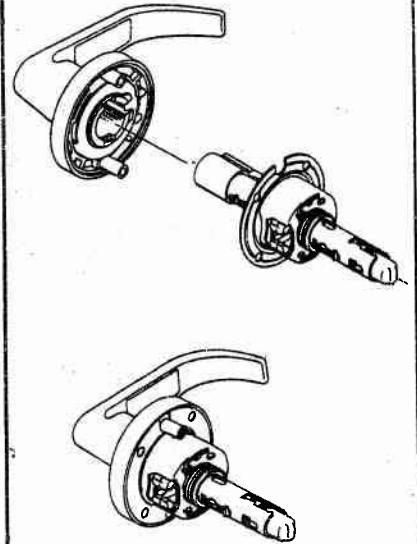


**5** First install outside cartridge. Then drop the adapter shim tube in the lock spindle. Then place the cylinder in position in the outside spindle of the lock as indicated in the drawing.



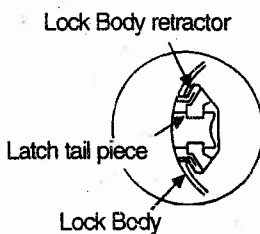
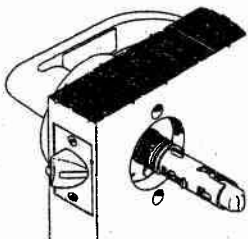
(Your lever comes with the cylinder pre-installed at the U-Change Factory. Regard Steps 4 & 5 only as necessary.)

**6** Insert the assembled lock body, mounting plate, cartridge and cylinder into outside lever assembly, making sure that lock is engaged properly by testing lever action.



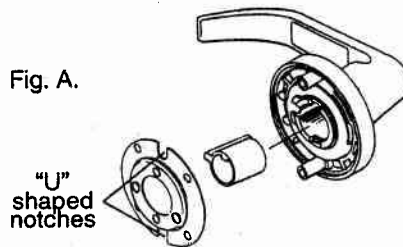
**7** Slide lock body and lever assembly into 2 1/8" hole from outside position.

The lock body must engage the latch unit prongs. The lock body retractor must engage latch unit tail piece to ensure proper operation.



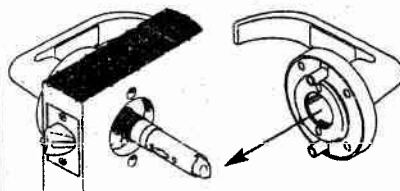
**8** Insert inside cartridge into inside lever then install inside mounting plate. Make sure that "U" shaped notches of mounting plate are positioned at 6 and 12 o'clock as shown in Fig. A.

Fig. A.



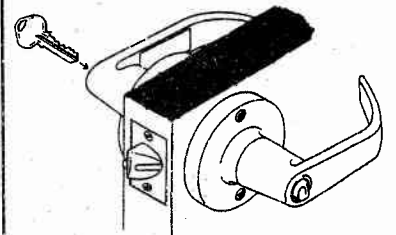
Slide assembled inside lever, cartridge and mounting plate onto inside spindle of lock as shown in Fig. B.

Fig. B.



**9** Fasten both inside and outside levers with 2 thru bolt machine screws supplied.

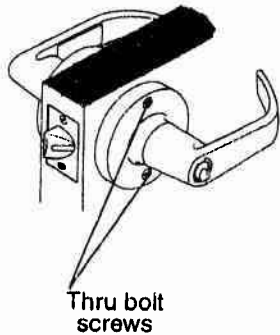
**IMPORTANT:** tighten the thru bolts completely, but then "back off" from this tightness approximately 1/2 turn to avoid binding the lever.



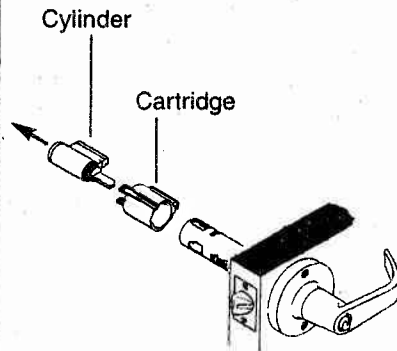
Congratulations. You have now installed your "Protector" lockset. From Advanced Hardware Technologies.

# CYLINDER REMOVAL

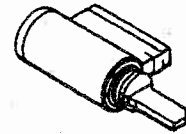
- 1** Remove outside lever from door by removing inside thru bolt screws. Do not remove lock from door.



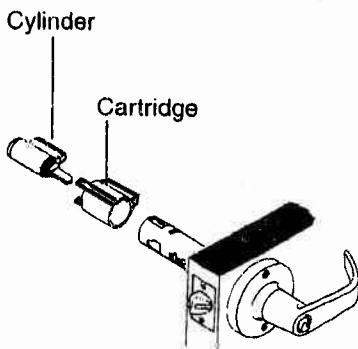
- 2** Using your hand, remove cartridge and cylinder from outside spindle of lock.



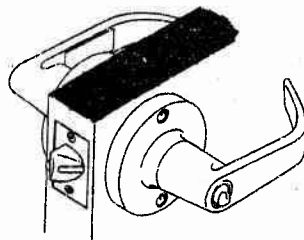
- 3** Perform any service required on cylinder.  
(such as replacement)



- 4** After having completed service, slide back cartridge and then cylinder onto outside spindle of lock.

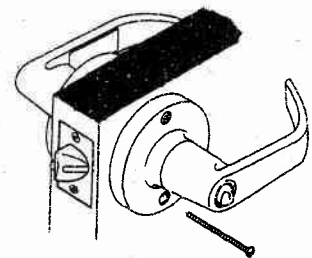


- 5** Slide back outside lever onto outside spindle of lock.



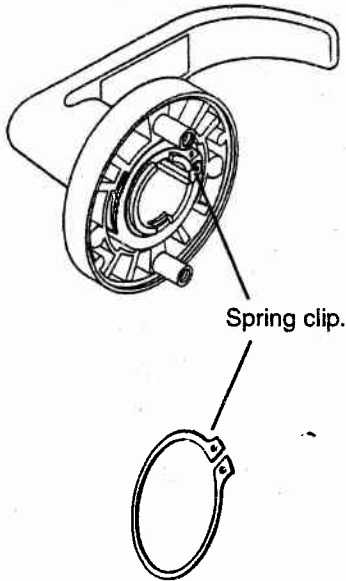
- 6** Refasten both inside and outside levers with 2 thru bolt screws from inside.  
Back off 1/2 turn from tightest position to avoid binding lever.

7. Test for function.

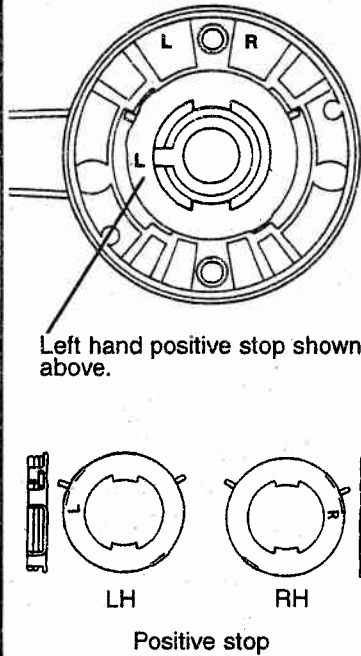


**TO REVERSE THE HANDING OF THE "PROTECTOR" LEVER LOCKSET  
FOLLOW THESE SIMPLE INSTRUCTIONS.**

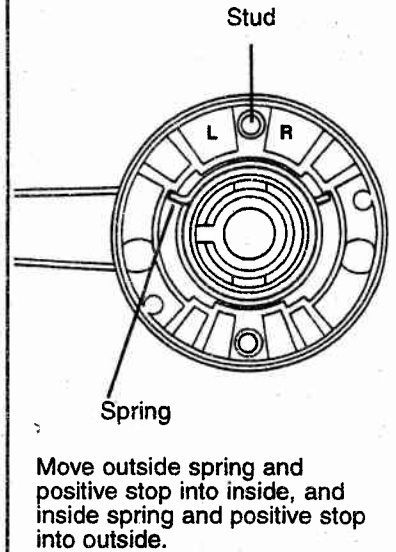
**1** Remove spring clip from both lever-rose assemblies with a tru-arc plier. (Inside and outside units).



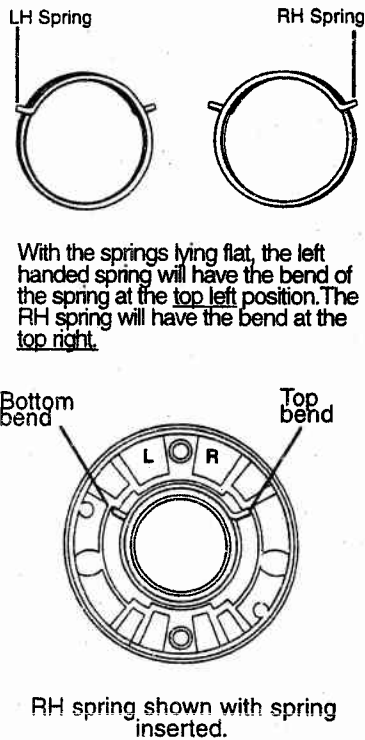
**2** Remove positive stops from both levers. (Inside and outside units).



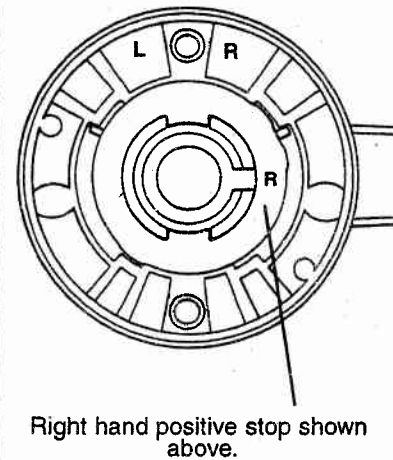
**3** Remove springs from both levers. (inside and outside units).



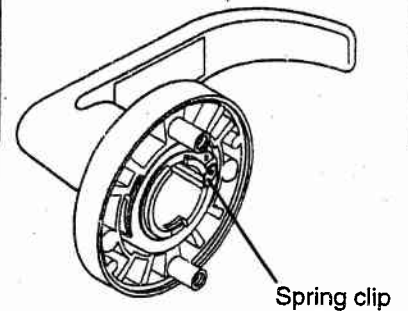
**4** Insert springs into the proper handed position. Note that springs are handed. Make sure L and R upright on Roses.

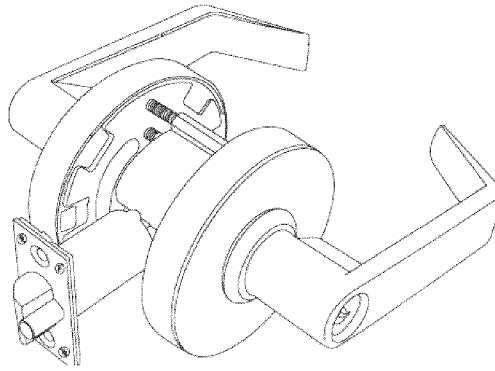


**5** Reinstall both positive stops as shown. Make sure R and L upright on positive stops.



**6** Put back spring clip carefully. Avoid scratching lever spring clip groove.





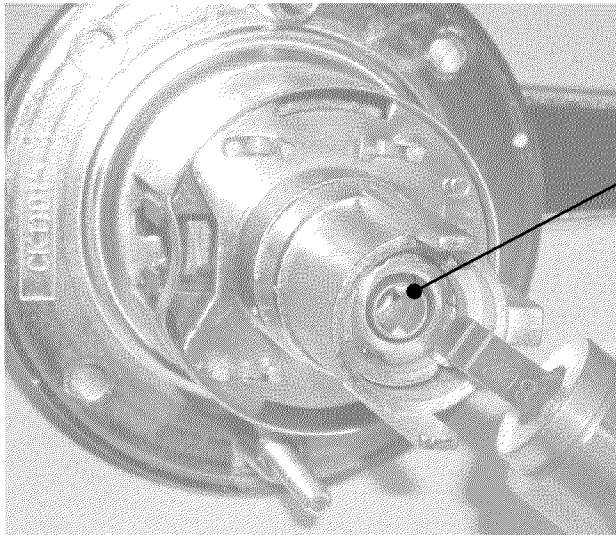
*Trans-Atlantic Company Door Lever*

# IMPORTANT NOTICE:

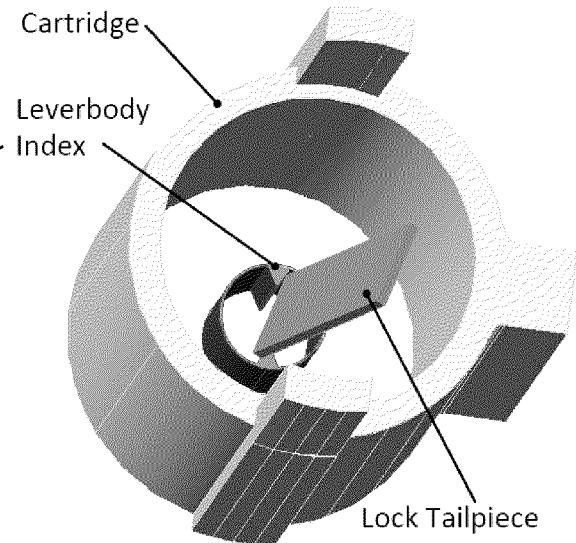
*Thank you for your selection of this 'Trans-Atlantic Company: The Protector' BHMA/ANSI Grade 1 door lever, complete with U-Change lever lock installed. You have selected a high-performing and robust door lock/lever set for your hardware application. This assembly comes from our factory fully tested and ready for use.*

*The leverset fits a 1 3/4" thickness door by default. When installing this leverset onto a 1 3/8" thick door, addition spacers need to be installed, one on each side of the door. These spacers are available from Security Solutions (Part No.: 22B3L187713). Leverset will not reliably function without door spacers when required.*

*In order for the lever set to function optimally (for years of heavy use) the following factory installation criteria must be maintained. When disassembling the lever assembly for installation onto a door, take care to reassemble the components according to the illustrations below:*



**Figure 1: Disassembled Lever Body**



**Figure 2: Reassembly Detail**

*Please observe the alignment of the 'Lock Tailpiece' in relation to the barbs on the 'Leverbody Index'.*

*Care must be taken not to reverse the orientation of the 'Lock Tailpiece' during installation; doing so results in mechanical stiffness or inoperability of the lever assembly. Remember: The 'Lock Tailpiece' should appear as a forward slash (/) when properly installed into the 'Leverbody Index'.*

*For additional questions or technical support, feel free to contact Security Solutions at: 1-888-541-1300.*